



# 慈溪市万捷电子有限公司

## CIXI WANJIE ELECTRONIC CO., LTD

### REVISION RECORD

REV.	DESCRIPTION	ECN No.	APPROVED	DATE



### UL/CUL 技术参数

UL/CUL Technical Data	Use Group	B	C	D
额定电压 Rated Voltage	[V]	300	-	300
额定电流 Rated Current	[A]	10	-	10

接线范围 Wire Range	AWG	28-12
单/多芯线 Solid/Stranded	[AWG]	28-12

耐压 Withstanding Voltage	1600V/1Min
耐压 Withstanding Voltage	1600V/1Min

### IEC 技术参数

IEC Technical Data	IEC61984		
过电压类别 Overvoltage Category	III	III	II
污染等级 Contamination Class	3	2	2
额定电压 Rated Voltage	160	250	320
额定电流 Rated Current	17.5	17.5	17.5

额定冲击电压 Impulse withstand voltage	[kV]	4.0	4.0	4.0
额定冲击电压 Impulse withstand voltage	[kV]	4.0	4.0	4.0

导线截面 Conductor cross section	[mm <sup>2</sup> ]	0.2-2.5		
导线截面 Conductor cross section	[mm <sup>2</sup> ]	0.2-2.5		

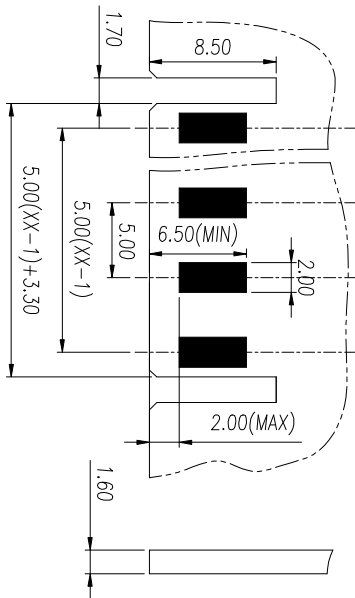
材料 Material	PA66
材料 Material	PA66

绝缘等级 Insulation Material	UL94V-0
绝缘等级 Insulation Material	UL94V-0

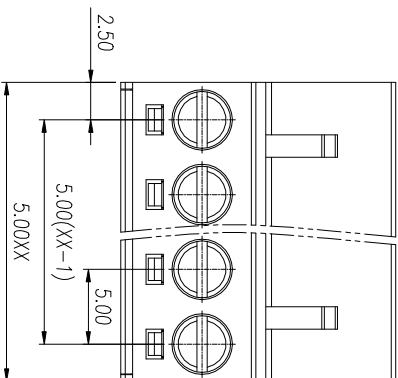
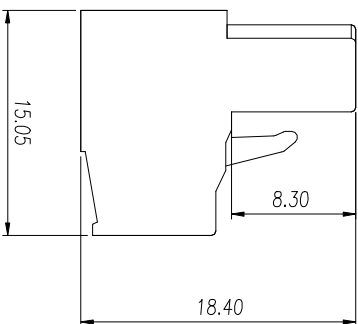
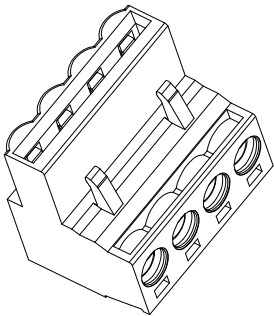
导体材料 Conductor Material	铜合金 Copper alloy
导体材料 Conductor Material	铜合金 Copper alloy

导体表面镀层 Contactive Coating	镀镍 Ni Plated
导体表面镀层 Contactive Coating	镀镍 Ni Plated

一般参数 Other Data	5.0/02-24	
间距 Pitch / 极数 Poles	[mm]/[P]	5.0/02-24
引线长度 Shipping Length	[mm]	7-8
螺丝 Screw/扭矩 Torque(Max)	[N.m]	M3.0/5
工作温度 Operating temperature	[°C]	40-105
焊接温度 Soldering temperature	[°C]	-
引脚尺寸 Pin Dimensions	[mm]	-
PCB板孔径 PCB Hole Diameter	[mm]	-



P.C.B. LAYOUT



linear dimension(Tolerances Standard GB/T 14486-2008)

variable range	tolerance	over 6 to 10	over 10 to 30	over 30 to 60	over 60 to 100	over 100 to 160	over 160 to 100	over 100 to 100
tolerance	±0.20	±0.30	±0.50	±0.70	±1.00	±1.30	±1.60	0.60

单位 / UNITS mm 尺寸 / SIZE A4 比例 / SCALE 2:1

第三视图/THIRD ANGLE PROJECTION 版本 / REV V0



慈溪市万捷电子有限公司  
CIXI WANJIE ELECTRONIC CO., LTD

名称 / TITLE WJ2EDGKP-5.0-XXP-1YY-00A