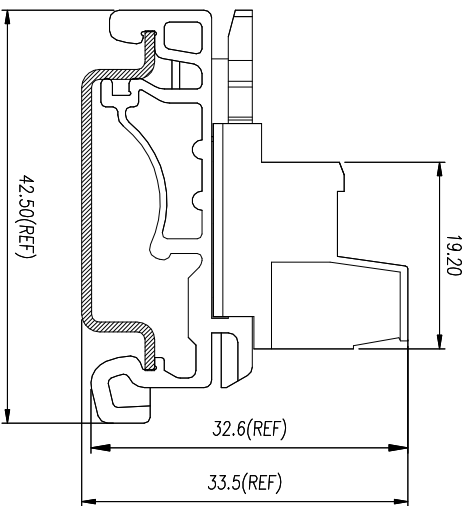
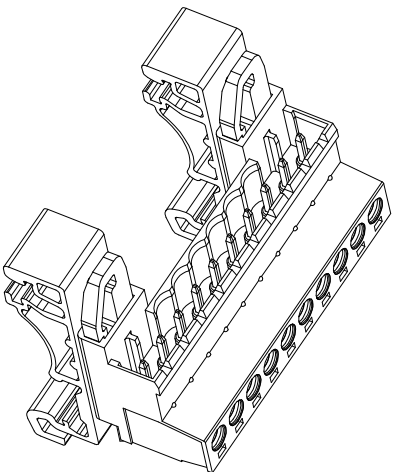
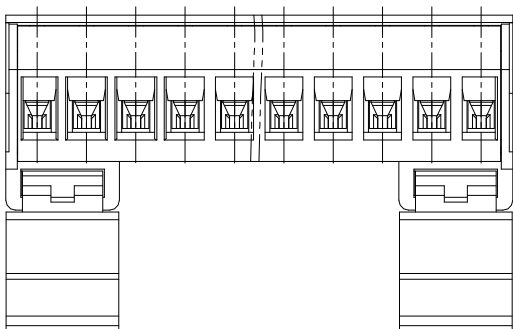
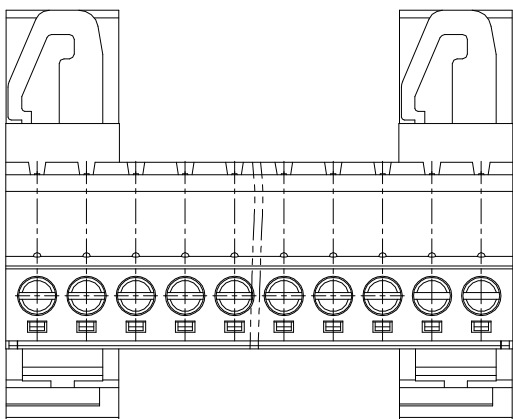
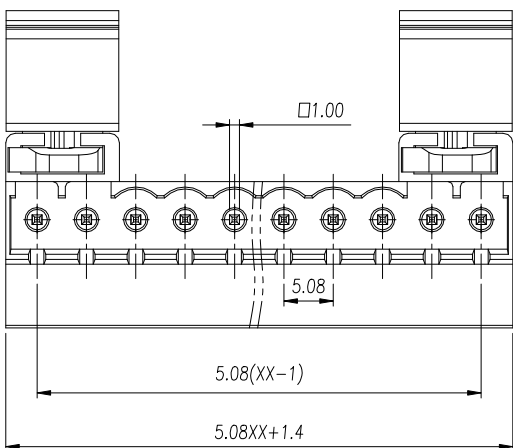




慈溪市万捷电子有限公司

CIXI WANJIE ELECTRONIC CO., LTD

REVISION RECORD			
REV.	DESCRIPTION	ECN No.	APPROVED DATE



U/CUL 技术参数		cRU [®] US			
U/CUL	Technical Data	B	C	D	
等级	Use Group	B	C	D	
额定电压	Rated Voltage [V]	300	-	300	
额定电流	Rated Current [A]	15	-	10	
接线范围	Wire Range	28-12			
单/多芯线	Solid/Stranded [AWG]	1600V/1Min			
耐电压	Withstanding Voltage	1600V/1Min			
IEC 技术参数		IEC61984			
IEC Technical Data		IEC61984			
过电压类别	Overvoltage Category	III	III	II	
污染等级	Contamination Class	3	2	2	
额定电压	Rated Voltage [V]	250	320	630	
额定电流	Rated Current [A]	12	12	12	
额定冲击电压	Impulse withstand voltage [kV]	4.0	4.0	4.0	
导线截面积	Conductor cross section	0.2-2.5			
硬质/柔性导线	Solid/flexible	0.2-2.5			
材料	Material	PA66			
绝缘材料	Insulation Material	UL94V-0			
阻燃等级	Inflammability	镀锡 Sn Plated			
导体材料	Contact Material	-			
导体表面镀层	Contactive Coating	-			
一般参数 Other Data					
间距 Pitch / 极数 Poles	[mm]/[P]	5.08 / 06-24			
剥线长度 Striping Length	[mm]	7-8			
螺丝 Screw/扭矩 Torque(Max)	[N.m]	M3.0, 5			
工作温度 Operating temperature	[°C]	-40~105			
焊接温度 Soldering temperature	[°C]	-			
引针尺寸 Pin Dimensions	[mm]	-			
PCB板孔径 PCB Hole Diameter	[mm]	-			

linear dimension	Tolerances Standard GB/T 14486-2008											
variable range	6 to 6	over 6 to 10	over 10 to 30	over 30 to 60	over 60 to 100	over 100 to 160	over 160 to 10	over 10 to 100	over 100 to 100	over 100 to 100	over 100 to 100	over 100 to 100
tolerance	±0.20	±0.30	±0.50	±0.70	±1.00	±1.30	±1.60	0.10	0.30	0.60	0.10	0.30

单位 / UNITS	mm	尺寸 / SIZE	A4	比例 / SCALE	3:1	
名称 / TITLE	WJZEDGURK-5.08-XXP-1YY-00A				版本 / REV	V0



慈溪市万捷电子有限公司
CIXI WANJIE ELECTRONIC CO., LTD



第三视图/THIRD ANGLE PROJECTION